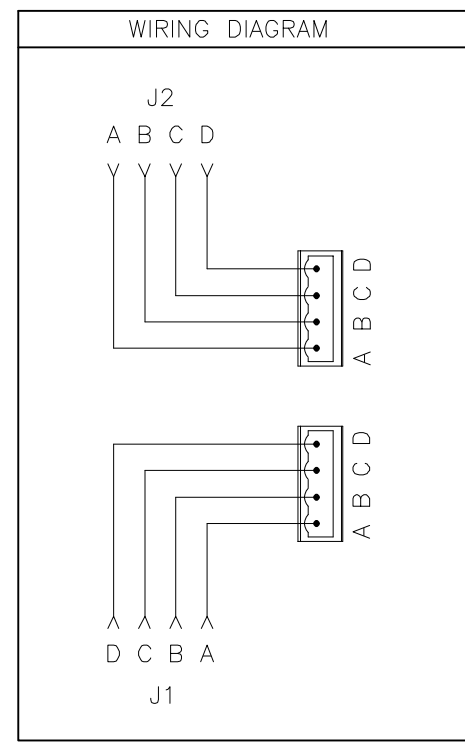
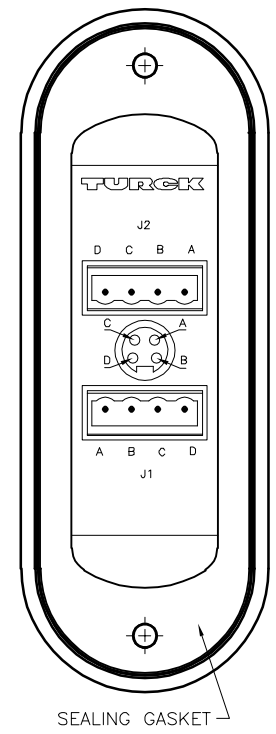
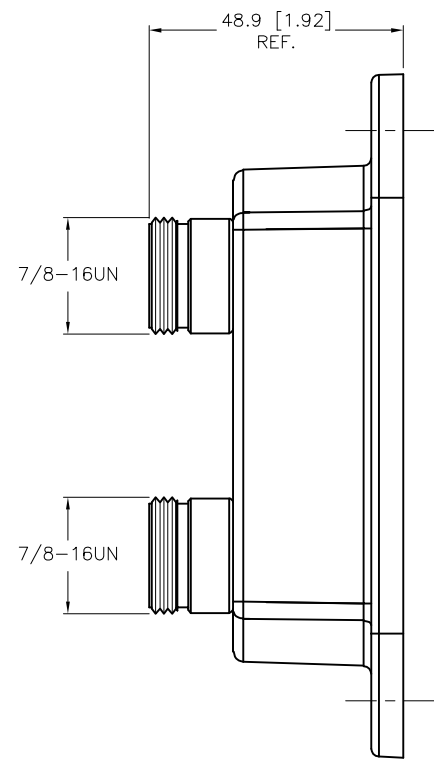
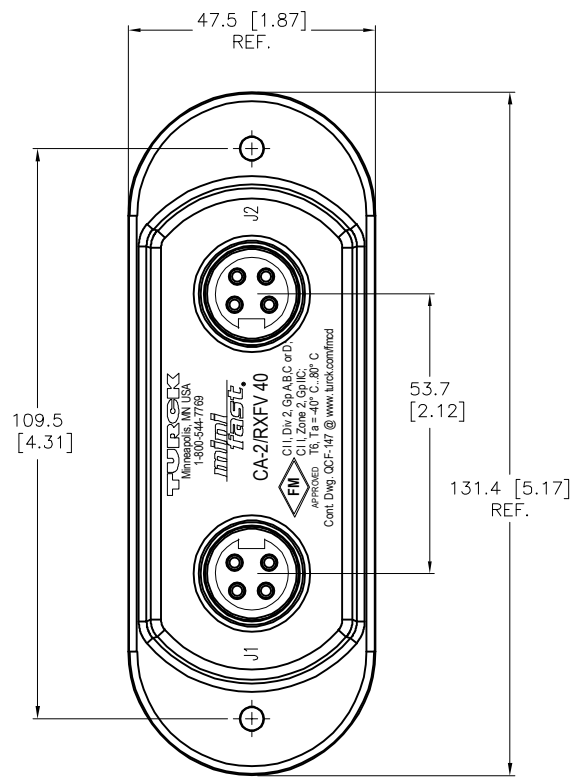


| J1, J2 END VIEW | TERMINAL BLOCK PLUGS | TERMINAL PLUGS INCLUDED | COVER SCREWS INCLUDED | SPECIFICATIONS | |
|-----------------|----------------------|-------------------------|--|------------------------------------|---|
| | | | <p>FORM 8 CONDUIT BODIES: 10-24 SCREWS</p> <p>MARK 9 CONDUIT BODIES: 8-32 SCREWS</p> | HOUSING MATERIAL/COLOR | NYLON 66 - 33% GLASS FILLED/BLACK |
| | | | | RECEPTACLE HOUSING MATERIAL/FINISH | STAINLESS STEEL/PASSIVATED |
| | | | | CONTACT CARRIER MATERIAL/COLOR | TPU/BLACK |
| | | | | CONTACT MATERIAL/PLATING | BRASS/GOLD |
| | | | | OPERATING VOLTAGE | 250 V |
| | | | | OPERATING CURRENT | 9.0 A PER CONDUCTOR |
| | | | | PROTECTION CLASS to DIN 40050 | IP 67 - ONLY WHEN ALL RECEPTACLES ARE COVERED WITH PLUGS OR CONNECTED |
| | | | | OPERATING TEMPERATURE | -30°C to +80°C (-22°F to +176°F) |



SOURCE DRAWING - FOR REFERENCE ONLY

| | | | | | |
|---|--------------------------|--|--|--|-----|
| RELATED DOCUMENTS 1. 2. 3. 4. | 3RD ANGLE PROJECTION | THIS DRAWING IS CONFIDENTIAL AND THE PROPERTY OF TURCK INC. USE OF THIS DOCUMENT WITHOUT WRITTEN PERMISSION IS PROHIBITED. | | 3000 CAMPUS DRIVE MINNEAPOLIS, MN 55441 1-800-544-7769 (763) 553-7300 (763) 553-0708 fax www.turck.us | |
| | | DRFT RDS DATE 11/24/08 | | TURCK DESCRIPTION CA-2/RXFV 40 | |
| | | APVD SCALE 1=1.5 | | | |
| | | UNIT OF MEASUREMENT MILLIMETER [INCH] | | IDENTIFICATION NO. | REV |
| MATERIAL SEE SPECIFICATIONS | | ALL DIMENSIONS DISPLAYED ON THIS DRAWING ARE FOR REFERENCE ONLY | | U3-10806 | |
| FINISH SEE SPECIFICATIONS | | | | CONTACT TURCK FOR MORE INFORMATION | |
| DO NOT SCALE THIS DRAWING | | FILE: U3-10806 | | SHEET 1 OF 1 | |

| | | | | |
|-----|---------------|----|----------|---------|
| E | UPDATE CLICHE | NF | 10/21/25 | 81452 |
| REV | DESCRIPTION | BY | DATE | ECO NO. |